



Cat6a Shielded Cables

- Fully shielded to protect from EMI/RFI interference
- Meets all Cat6a ANSI/TIA-568-C.2 standards
- Lifetime Warranty



Specifications: Cat6a Shielded Cables

Electrical Specifications:

Conductor DC Resistance:	9.38Ω/100m (maximum)
Impedance:	100Ω
Capacitance:	5600pf/100m
Propagation Delay:	545ns/100m (maximum)
Delay Skew:	45ns/100m (maximum)

Physical Specifications:

Wiring Scheme:	T568B
Temperature Rating:	75°C
Voltage Rating:	30V
Approvals:	CE
Warranty:	Lifetime
Package Type:	Polybag

Conductor (4 pair):

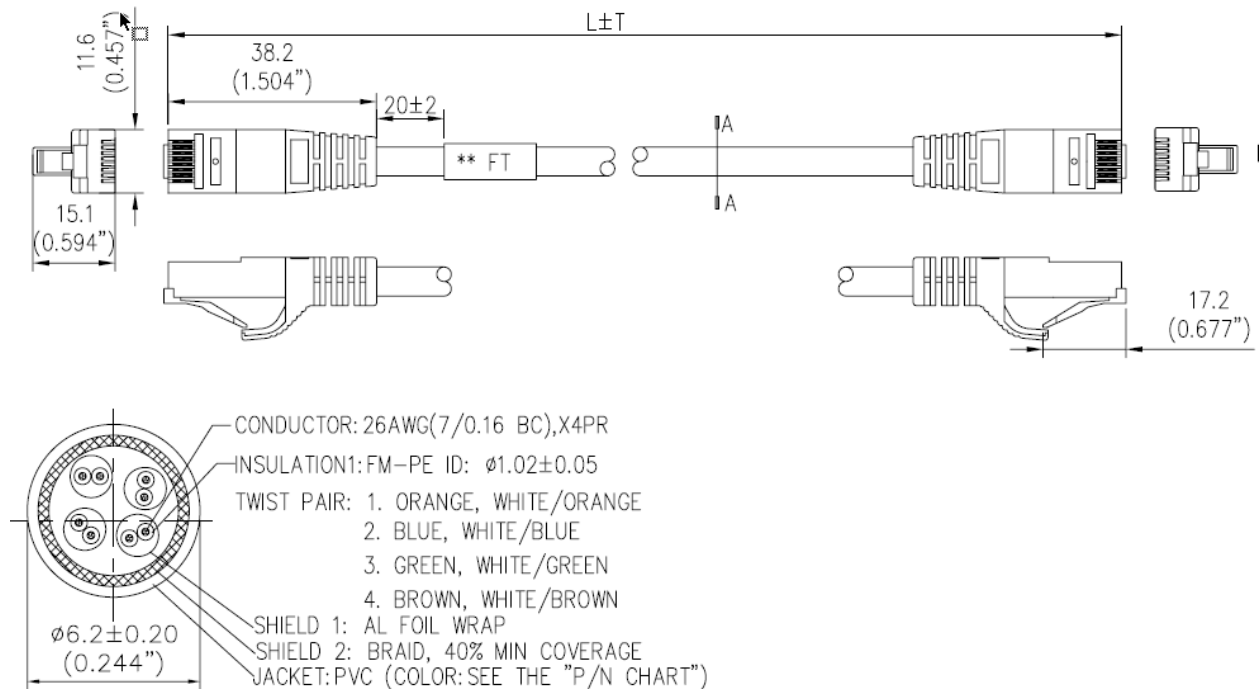
Conductor:	26AWG (7/0.16 BC)
Insulation:	FM-PE ID: $\phi 1.02 \pm 0.05$
Twist Pair:	Orange, White/Orange, Blue, White/Blue, Green, White/Green Brown, White/Brown
Shield:	AL Foil Wrap

Connectors (Qty 2):

Connector Type:	8P8C (RJ45)
Gender:	Male
Contacts:	Gold Plated 50μ
Hood:	Molded PVC, UL94V-0

Overall Cable

Jacket:	PVC
Shield:	AL Foil Wrap Braid, 40% Min Coverage
OD:	6.2 ± 0.20



Specifications: Cat6a Shielded Cables

Length	Gray	Blue	Black	Aqua
6"	00971	00973	00975	00977
1ft	00638	00672	00706	00740
2ft	00639	00673	00707	00741
3ft	00640	00674	00708	00742
4ft	00641	00675	00709	00743
5ft	00642	00676	00710	00744
6ft	00643	00677	00711	00745
7ft	00644	00678	00712	00746
8ft	00645	00679	00713	00747
9ft	00646	00680	00714	00748
10ft	00647	00681	00715	00749
12ft	00648	00682	00716	00750
14ft	00649	00683	00717	00751
15ft	00650	00684	00718	00752
20ft	00651	00685	00719	00753
25ft	00652	00686	00720	00754
30ft	00653	00687	00721	00755
35ft	00654	00688	00722	00756

