



## USB 2.0 A/B Cable

- Plug-and-Play for keyboards, mice, modems, printers, and other USB peripherals
- Transfer rate up to 480 Mbps
- Constructed with foil and braid shield to reduce EMI/RFI interference
- Twisted pair construction helps reduce crosstalk thus ensuring high-speed, error-free data transfer
- Available in various colors
- Lifetime Warranty



# Specifications: USB 2.0 A/B Cable

## Electrical Characteristics:

Nominal Impedance with Tolerance:	90Ω±15%												
Nominal Capacitance:	131PF/M												
Nominal Velocity of Propagation:	12Mb/s												
DC Resistance:	28AWG 239Ohm/Km @20°C 24AWG 94.2Ohm/Km @20°C												
Insulation Resistance:	10MΩ												
Nominal Attenuation:													
f(MHz)	0.064	0.256	0.512	0.772	1.00	4.00	8.00	12.0	24.0	48.0	96.0	200	400
Attenuation	0.08	0.11	0.13	0.15	0.2	0.39	0.57	0.76	0.95	1.35	1.9	3.2	5.8

## Physical Characteristics:

Voltage rating:	30V
Temperature rating:	80°C
Operating temperature:	-20°C to 55°C
Storage temperature:	-10°C to 40°C
Minimum Bend Radius:	4.7mm

### Conductor 1 (x2):

Conductor Type:	28AWG (7/0.127)
Insulation:	HD-PE, ID:ø0.85±0.05mm White, Green (Twisted Pair)

### Conductor 2 (x2):

Conductor Type:	24AWG (7/0.20)
Insulation:	SR-PVC, ID: ø1.1±0.05mm Black, Red

### Connector:

Connector Type:	USB A Male
Insulation:	White PBT
Contact Material:	Gold Flash
Shell Material:	Nickel Plated

### Connector:

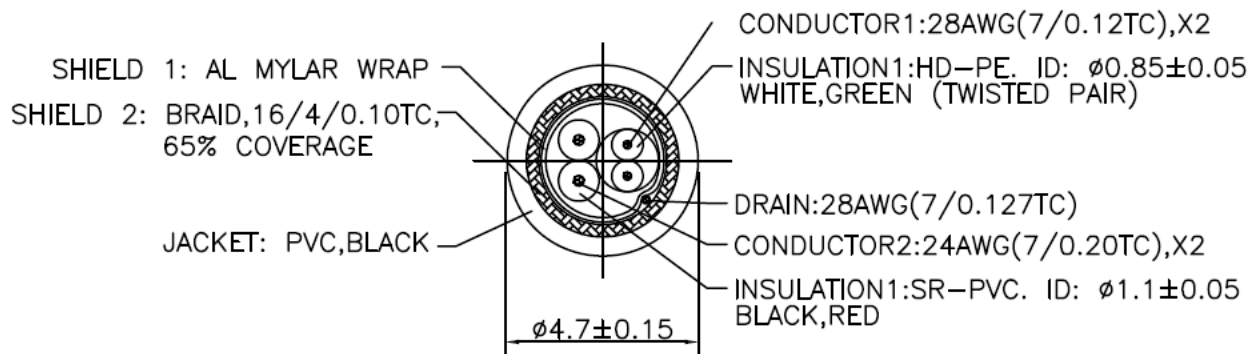
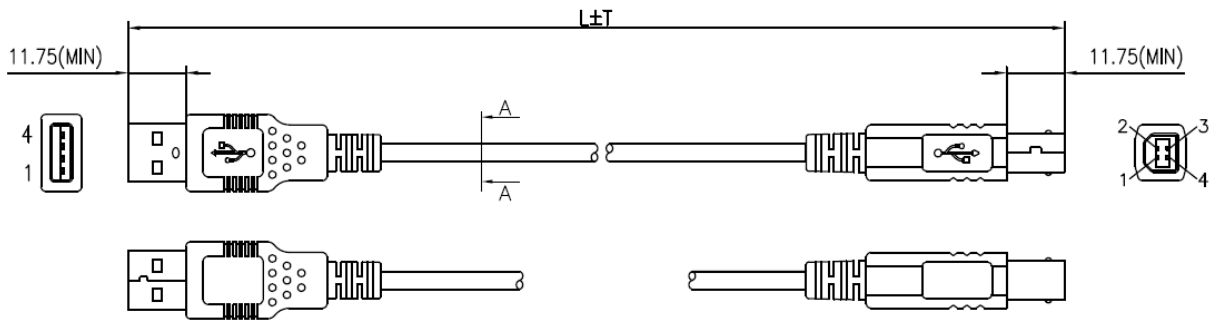
Connector Type:	USB B Male
Insulation:	White PBT
Contact Material:	Gold Flash
Shell Material:	Nickel Plated

## Overall Cable Construction:

Shield:	AL Mylar Wrap Braid, 16/4/0.10TC 65% Coverage
Drain Wire:	28AWG (7/0.127) Tinned Copper
Jacket	PVC Black O.D. - 4.7 ± 0.15mm



# Specifications: USB 2.0 A/B Cable



	Black	White	Blue	Green	Orange	Purple	Weight (lbs)
1m USB 2.0 A/B Cable	28101	13171	—	—	—	—	0.13
2m USB 2.0 A/B Cable	28102	13172	35674	35667	35668	35671	0.19
3m USB 2.0 A/B Cable	28103	13400	35678	35669	35670	35675	0.28
5m USB 2.0 A/B Cable	28104	13401	—	—	—	—	0.30

