



## **DVI Male to HD15 VGA Male Video Cable**

- Triple-shielded undermold and braid shield protects against unwanted EMI/RFI interference
- 28AWG copper conductors are individually insulated
- Fully compliant with DVI standard



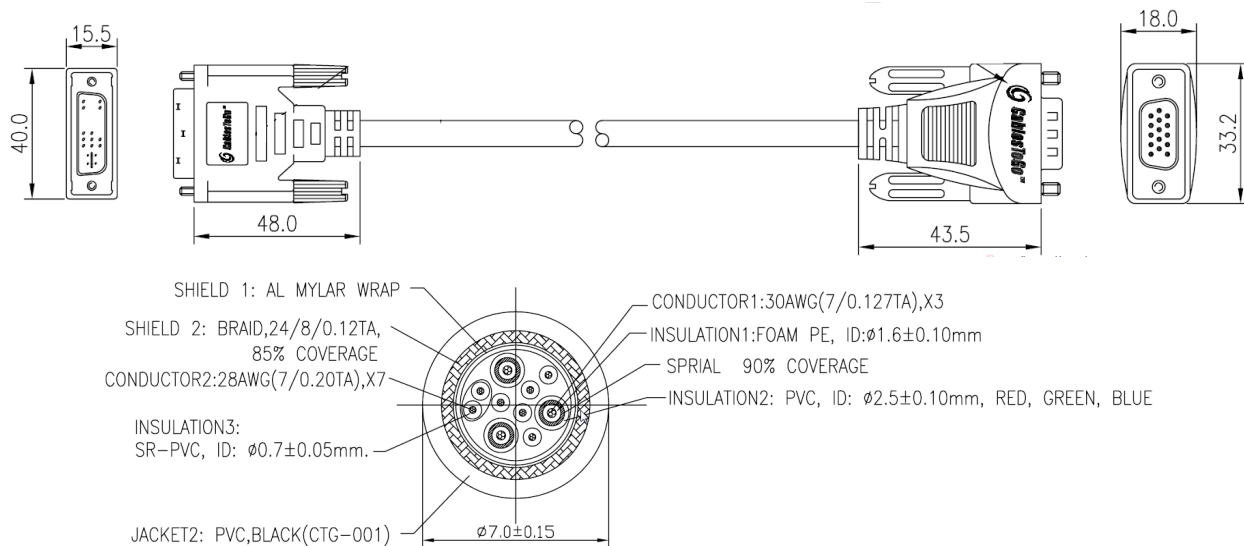
# Specifications: DVI Male to HD15 VGA Male Video Cable

## Signal Specifications:

Video Signal:	VGA, DVI-A
Maximum Video Resolution:	1600 x 1200
Signal Type:	Analog

## Physical Characteristics:

Connectors:	HD15 pin VGA Male DVI-A (16+1) Pins
Connector Size (DVI)	48 x 40 x 15.5mm
Connector Size (VGA)	43.5 x 33.2 x 18mm
Shield 1:	AL Mylar Wrap
Shield 2:	Braid, 24/8/0.12TA, 85% Coverage
Conductor 1:	30AWG (7/0.127TA), X3
Conductor 2:	28AWG (7/0.20TA), X7
Insulation 1:	Foam PE, ID: $\phi 1.6 \pm 0.10$ mm
Spiral:	90% Coverage
Insulation 2:	PVC, ID: $\phi 2.5 \pm 0.10$ mm, Red, Green, Blue
Insulation 3:	SR-PVC, ID: $\phi 0.7 \pm 0.05$ mm
Jacket:	PVC, Black



Part Number	Description	Weight (lbs)
26958	1m DVI Male to HD15 VGA Male Video Cable (3.2ft)	0.34
26954	2m DVI Male to HD15 VGA Male Video Cable (6.5ft)	0.53
26955	3m DVI Male to HD15 VGA Male Video Cable (9.8ft)	0.71
25823	5m DVI Male to HD15 VGA Male Video Cable (16.4ft)	1.08

