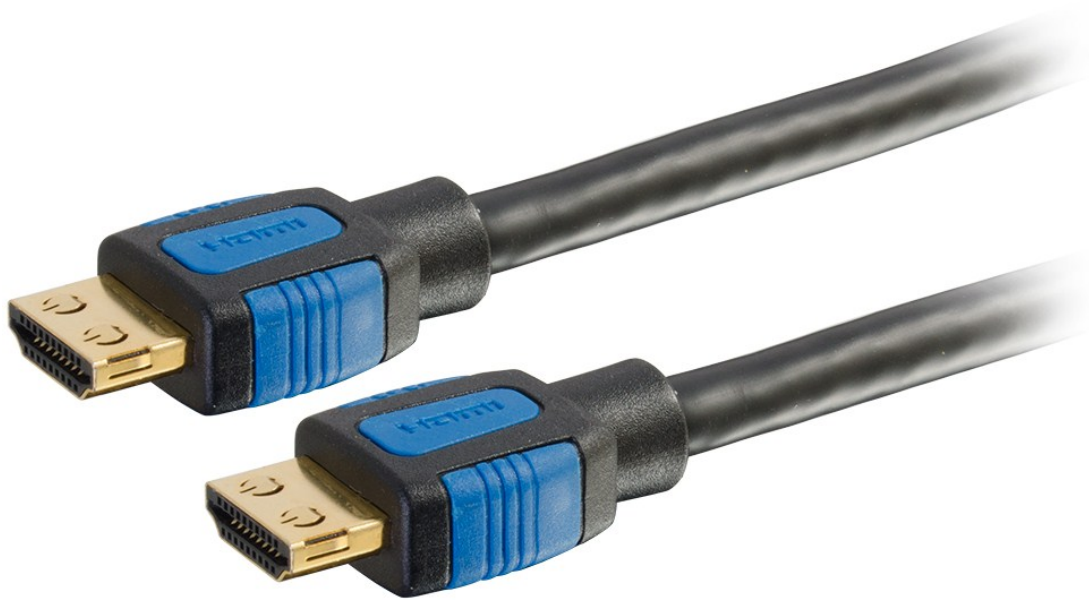


## SPECIFICATION SHEET



## HDMI Cable With Gripping Connectors

- Provides 3 times greater retention than standard HDMI
- High-Speed HDMI Cable with Ethernet
- Supports high bandwidth features such as:
  - Ultra HD
  - 4k @ 50/60hz
  - 3D
  - Deep Color
  - Dolby True HD
  - DTS-HD Master Audio
- Gold plated connectors
- Lifetime Warranty

## Specifications: HDMI Cable With Gripping Connectors

### Electrical Specifications:

---

Voltage:	30V
Dielectric Strength:	AC-500V/S Minute
Insulation Resistance:	DC 500 100M $\Omega$ Km Min. at 20°C
Conductor Resistance:	26AWG 148 $\Omega$ /Km max at 20°C

### Physical Specifications:

---

Cable Outer Diameter:	8.50mm $\pm$ 0.20mm
Shield:	Aluminum Mylar - 100% Coverage 25% Overlap minimum Braid - A-M Alloy 24/9/0.12mm
Drain:	26AWG Tinned Copper 7/0.16 $\pm$ 0.008mm

### Conductor:

---

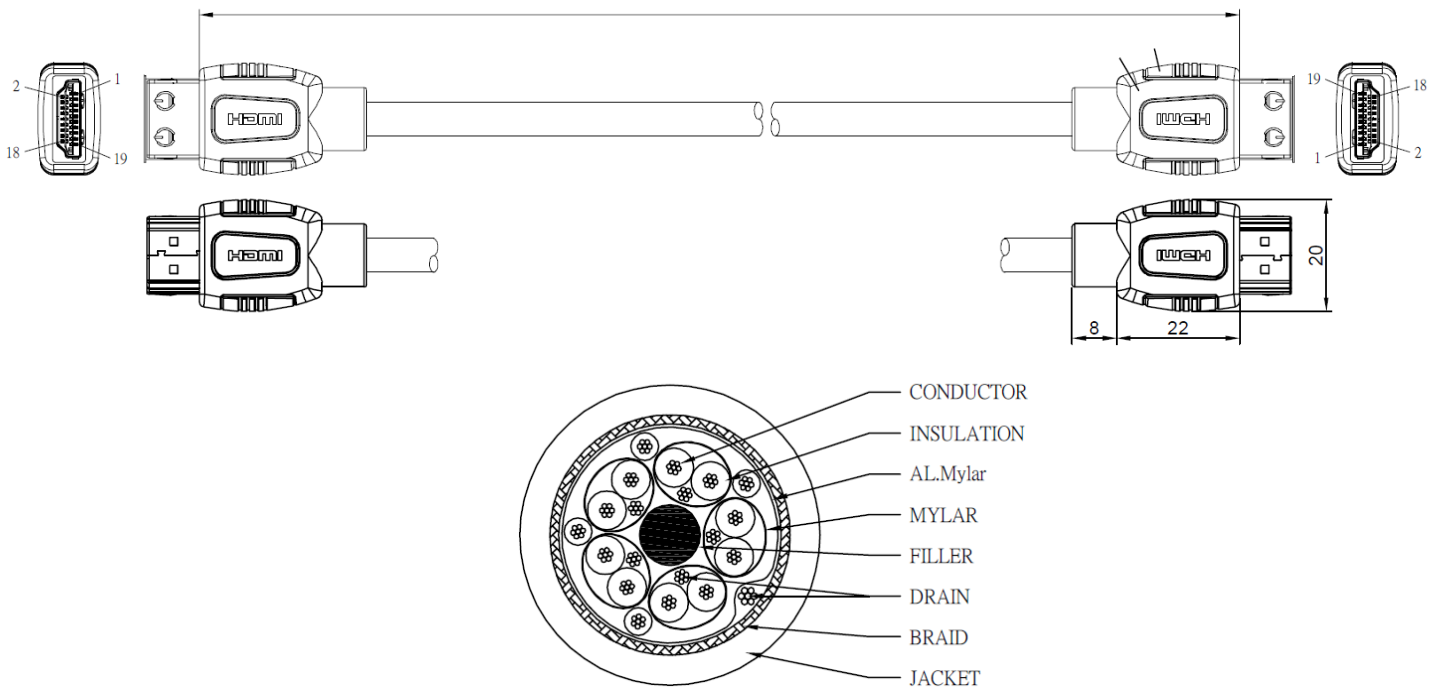
Material:	Tinned Copper
Size:	26AWG 7/0.16
Insulation Pairs:	FM-PE+Skin
Color Pairs:	Black/White Brown/White Red/White Green/White Blue/White
Insulation Single:	HD-PE
Color Single:	Red, Orange, Yellow, White

### HDMI Connector

---

Gender:	Male
Insulation:	Black
Contact Material:	Gold Flashing
Port Retention:	6.6lbs Minimum withdraw force

# Specifications: HDMI Cable With Gripping Connectors



Part Number	Description	Weight (lbs)
29683	25ft HDMI cable with gripping connectors	1.28



**CABLES TO GO**

Cables To Go  
 3555 Kettering Blvd.  
 Moraine, OH 45439  
 Phone: 800.287.2843  
 www.c2g.com

Follow Us

