



Velocity DVI-D to HDMI Adapters

- Supports up to 1080p resolutions
- Available in DVI-D Male to HDMI Female and DVI-D Female to HDMI Male form factors
- Lifetime Warranty

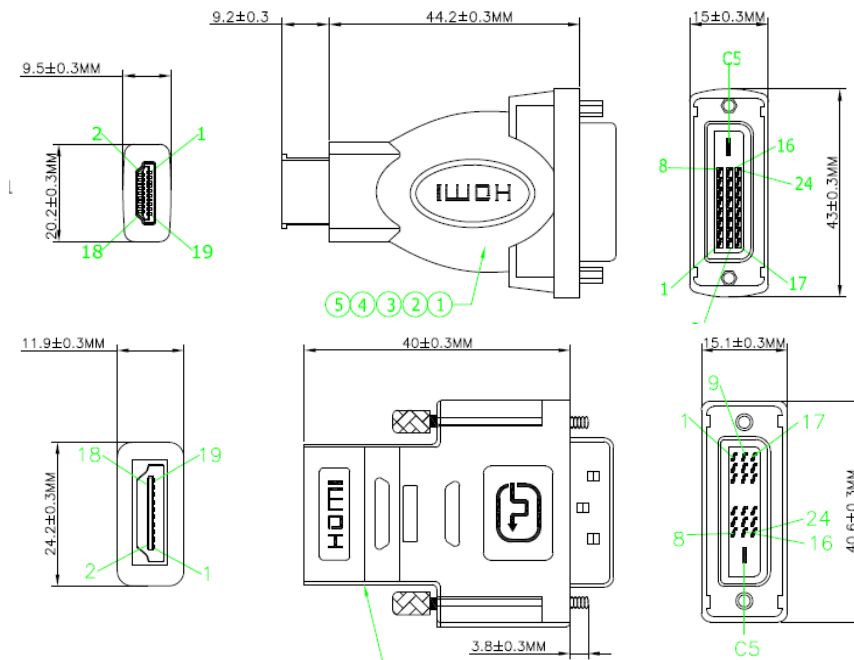
Specifications: Velocity DVI-D to HDMI Adapters

Video Specifications:

Video input options:	DVI-D Female, HDMI Female
Video output options:	DVI-D Male, HDMI Male
Maximum video resolution:	1920 x 1200 or 1080p
Impedance:	3.0MΩ (MAX)
Conductor DC Resistance:	15MΩ(MAX)

Physical Specifications:

Adapter length:	53.4 ±0.3mm
Housing materials:	Black PVC
Contacts:	Gold-Plated
Voltage Rating:	DC300V
Temperature Rating:	65±5°C
Regulations:	RoHS



Part Number	Description	Weight (lbs)
40745	Velocity DVI-D Female to HDMI Male Inline Adapter	0.070
40746	Velocity DVI-D Male to HDMI Female Inline Adapter	0.070

