

Control 14C/T Two-Way 4" Coaxial Ceiling Loudspeaker

Professional Series

Key Features:

- ▶ Components:
 - 100 mm (4.0 in) high output driver with polypropylene cone and butyl rubber surround
 - 19 mm (0.75 in) soft-dome liquid-cooled tweeter
- ▶ Blind-mount backcan for quick and easy install
- ▶ Dual conduit/cable clamps
- ▶ Combined 70V/100V and low impedance direct operation
 - 30 Watts at 8Ω nominal setting
 - 25W multi-tap at 70V/100V
- ▶ 74 Hz – 20 kHz bandwidth with wide 120° coverage
- ▶ White or black (-BK)

Applications:

Control 14C/T is a full-range ceiling speaker consisting of a 100 mm (4 inch) high tech cone driver and a 19 mm soft-dome liquid cooled tweeter mounted in a vented, paintable baffle made of UV resistant UL94-V0 and UL94-5HB material, with a pre-attached blind-mount backcan for quick and easy installation. The speaker is designed to provide excellent sound quality for a wide variety of medium volume applications such as music cafes, business music systems, retail stores, music/paging systems, airports, reception/waiting rooms, lounges, courtrooms, convention centers, hotels, educational facilities, and more.

The 120° coverage delivers consistent sound quality for listeners located both off and on axis.

The high technology 100 mm (4.0 in) low-frequency driver is designed with a lightweight, high temperature anodized aluminum voice coil former and high temperature grade voice coil for stable performance and reliability under long-term high power working conditions. The butyl rubber surround provides long-term durability and excellent sonic damping while the polypropylene cone is water and humidity resistant. The FEA-optimized motor construction and cone geometry, along with linear suspension spider design, allows for a smooth frequency response and more consistent off-axis performance. The 19 mm (3/4 in) high frequency driver features a highly damped treated silk dome for clear and warm sound, a lightweight Kapton™ voice coil for better high frequency response and excellent reliability, low viscosity liquid cooling for power handling and reliability, and a wide dispersion waveguide design to produce wide coverage and smooth frequency response.

The removable locking connector has screw terminals for secure wire termination and “loop through” terminals. A dual strain relief assembly provides clamping for use with cable or flex conduit.

Ideal for a wide variety of projects, the Control 14C/T is switchable for use as either an 8 ohm low-impedance speaker or as part of a 70V or 100V distributed loudspeaker system with a 25 Watt multi-tap transformer. The speaker comes complete with two tile rail supports, one C-ring support backing plate, cutout template, paint shield and grille. A safety seismic attachment ring is provided on the top surface. Available in white or black (-BK).



Preliminary Specifications:

System:	Frequency Range (-10 dB) ¹ : 74 Hz – 20 kHz
	Frequency Response (±3 dB) ² : 100 Hz – 20 kHz
	Power Capacity (at low-Z) ² : 60 Watts Continuous Program Power 30 Watts Continuous Pink Noise
	Nominal Sensitivity ³ : 87 dB
	Nominal Coverage Angle ³ : 120° conical coverage
	Directivity Factor (Q) ³ : 7.6
	Directivity Index (DI) ³ : 8.1 dB
	Rated Maximum SPL: 102 dB @ 1 m (3.3 ft) average, 108 dB peak
	Nominal Impedance: 8 ohms (in direct/bypass 8Ω setting)
	Transformer Taps: 25 W, 12.5 W, 6.3 W @ 70V or 100V (plus 3.2 W @ 70V only)
	Crossover Network: 12 dB/oct (2nd order) low-pass to LF driver, 12 dB/oct (2nd order) high-pass to HF driver
Transducers:	LF Driver: 100 mm (4.0 inch) with polypropylene cone, butyl rubber surround, anodized aluminum voice coil former, high temperature voice coil
	HF Driver: 19 mm (3/4 in), highly-damped treated-silk dome, Kapton™ voice coil, liquid cooling, wide dispersion waveguide
Enclosure:	Input Connector: Removable locking 4-pin connector with screw-down terminals. Max wire size 12 AWG (2.5 mm ²)
	Connector Wiring: Pin 1 = + In; Pin 2 = - In; Pin 3 = + Loop Thru; Pin 4 = - Loop Thru
	Strain Reliefs: Strain relief for two cables or two flex conduits via coupled clamping mechanism
	Materials: ABS baffle with UL94-V0 and UL94-5VB flame class fire rating. Zinc-plated steel backcan
	Safety Agency: UL1480, UL2043, NFPA90 & NFPA70; S7232/UL Listed, Suitable for use in air handling spaces, Signaling Speaker; Transformer UL registered per UL1876; ROHS, C-tick N108, CE compliant; Baffle meets UL94-V0 and UL94-5VB flammability rating; In accordance with IEC60849/EN60849 systems
	Dimensions: 196 mm diameter x 181 mm depth from back of baffle (7.7 in diameter x 7.1 in depth)
	Ceiling Cutout Size: Circular cutout with 170 mm (6.7 in) diameter (cardboard cutout template included)
	Ceiling Thickness Range: Up to 35 mm (1.4 in) with stock dog-ears. MTC-TCD thick-ceiling dog-ears available for up to 55 mm (2.2 in) ceiling thicknesses
	Safety Seismic Attachment: One point, top surface
	Net Weight: 2.2 kg (4.8 lbs, one speaker)
	Shipping Weight: 8.2 kg (17.9 lbs, pair in master carton)
	Included Accessories: C-ring support backing plate, 2 tile support rails (for 2 ft or 600 mm tile spans; optional MTC-48TR extension available for larger 4 ft or 1200 mm tile spans), cutout template, paint shield, removable locking multi-pin connector, grille
	Optional Accessories: MTC-24NC new construction bracket MTC-24MR mud-ring construction bracket MTC-TCD thick-ceiling dog-ears for ceiling thicknesses up to 55 mm (2.2 in, ordering one set = 24 dogears for 8 speakers) MTC-48TR tile rail for 1200 mm (4 ft) tile spans MTC-14WG (& 14WG-BK) high humidity grille

¹ Half-space (flush mounted in ceiling)

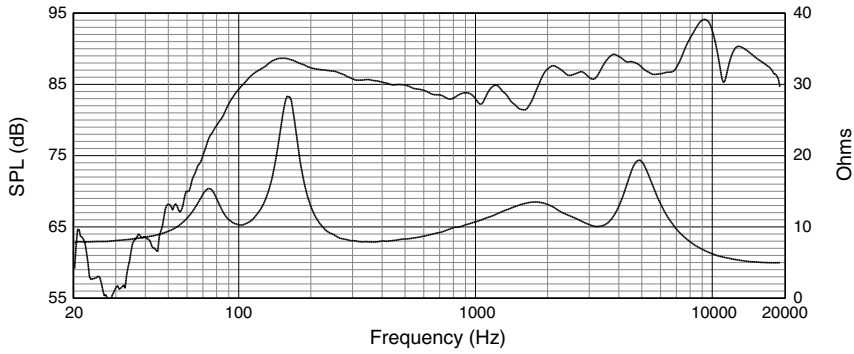
² Continuous Pink Noise Rating is IEC-shaped pink noise with a 6 dB crest factor for 100 hours continuously. Continuous Program Power is a conservative expression of the system's ability to handle normal speech and music program material, and is defined as 3 dB above the Continuous Pink Noise Rating.

³ Half-space (in ceiling) average 1 kHz to 16 kHz.

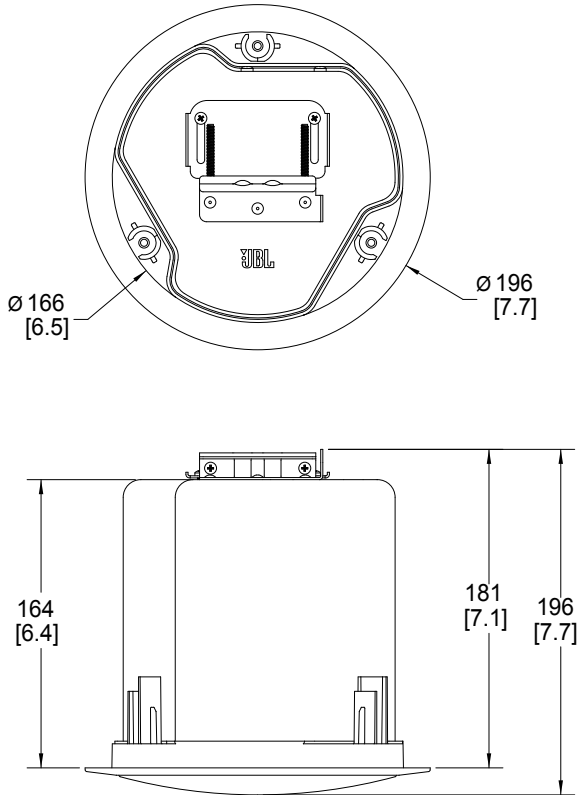
► Control 14C/T Two-Way 4" Coaxial Ceiling Loudspeaker

Frequency Response, Impedance:

Frequency Response in Half-Space (2π , mounted in ceiling)
 Impedance at 8Ω (low-impedance) setting



Dimensions:



Dimensions in mm (inches)



by HARMAN

JBL Professional

8500 Balboa Boulevard, P.O. Box 2200

Northridge, California 91329 U.S.A.

© Copyright 2013 JBL Professional

www.jblpro.com

SS C14CT
 CRP
 06/13