

Specifications

MFi Certified

Yes

DSP Modes (Presets)

Speech/Singing/Acoustic/Loud/Flat

Transducer Type

Electret Condenser (25 mm)

Polar Pattern

Unidirectional (Cardioid)

Bit Depth

16-bit/24-bit

Sampling Rate

44.1/48 kHz

Frequency Response

20 Hz to 20,000 Hz

Adjustable Gain Range

0 to +36 dB

Sensitivity

-39 dBFS/Pa at 1 kHz ^{[1][2]}

Maximum SPL

130 dB SPL ^[2]

Headphone Output

3.5 mm (1/8")

Power Requirements

Powered through USB or Lightning connector

Mute Switch Attenuation

Yes

Mounting Stand

Built-in

Stand Adapter

5/8-27 thread mount (standard mic stand mount)

Housing

all metal construction

Net Weight

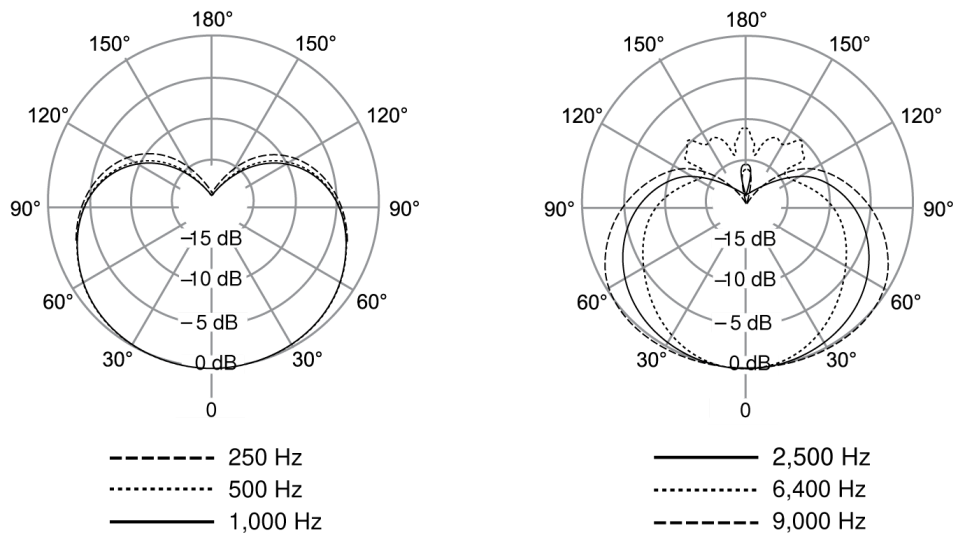
574.7 g (20.27oz.)

Dimensions

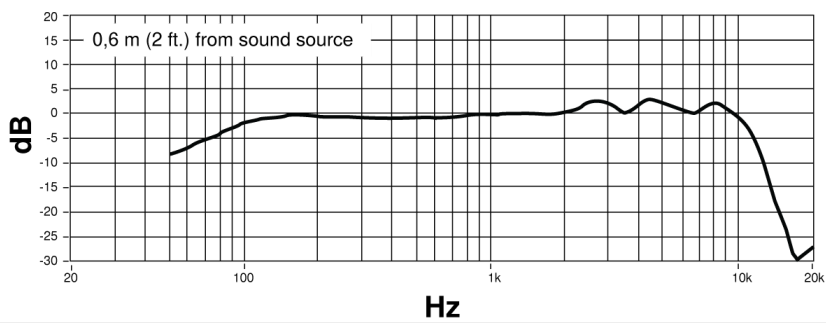
128 x 86 x 70 mm H x W x D

[1] $P_a=94$
dB SPL

[2]
At Minimum Gain, Flat Mode



Polar Pattern



Frequency Response