
Specifications

Type

Electret Condenser

Polar Pattern

Cardioid

Frequency Response

50 to 20,000 Hz

Output Impedance

at 1 kHz, open circuit voltage

120 Ω , actual

Sensitivity

at 1 kHz, open circuit voltage

-38 dBV/Pa [1] (12.7 mV)

Maximum SPL

1 kHz at 1% THD, 1 k Ω load

138 dB SPL

Polarity

Positive pressure on diaphragm produces positive voltage on pin 2 with respect to pin 3

Connector

Three-pin professional audio (XLR), male

Weight

383 g (0.8 lbs)

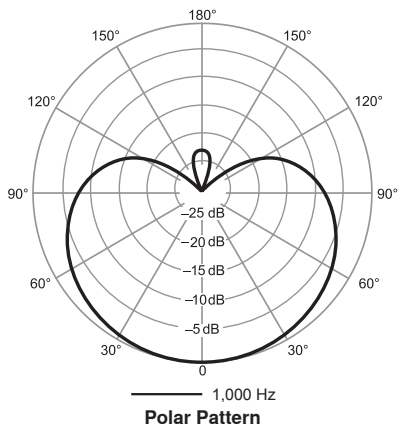
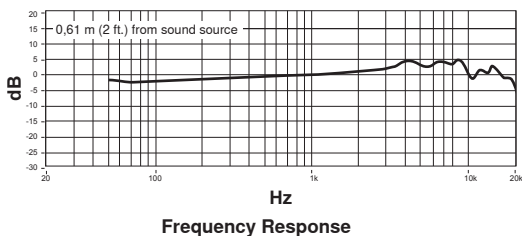
Housing

Cast Zinc

Power Requirements

48 V DC phantom power (4 mA)

[1] 1 Pa=94 dB SPL



Certifications

This product meets the Essential Requirements of all relevant European directives and is eligible for CE marking.

The CE Declaration of Conformity can be obtained from: www.shure.com/europe/compliance

Authorized European representative:

Shure Europe GmbH

Headquarters Europe, Middle East & Africa

Department: EMEA Approval

Jakob-Dieffenbacher-Str. 12

75031 Eppingen, Germany

Phone: 49-7262-92 49 0

Fax: 49-7262-92 49 11 4

Email: info@shure.de

