

Product Specifications

PGA52 Cardioid Dynamic Kick Drum Microphone

Overview

The PGA52 is a professional quality kick drum microphone with highly durable design and construction that delivers excellent sound. Featuring a swivel joint with a quick release latch for fast and flexible positioning, the PGA52 is ideal for use in low frequency performance and recording applications.

Features

- Tailored microphone cartridge design specifically for low frequency clarity
- Swivel joint with quick release latch with a design similar to bicycle component-locking technology for extremely quick and easy positioning.
- Cardioid polar pattern picks up audio from the source while rejecting unwanted noise
- Updated industrial design with black metallic finish and grille for unobtrusive visual presence
- Available with and without XLR Cable for flexibility in gear choice
 - With 15 ft (4.6 m) XLR-XLR cable
 - Without cable
- Zipper pouch included for additional protection during storage or transport
- Legendary Shure quality design and construction for exceptional performance in rigorous environments



PGA 52

Product Specifications

| | |
|--|---|
| Type | Dynamic (moving coil) |
| Frequency Response | 50 to 12,000 Hz |
| Polar Pattern | Cardioid |
| Output Impedance | 150 Ω |
| Sensitivity <i>at 1 kHz, open circuit voltage</i> | -55 dBV/Pa (1.75 mV) 1 Pa=94 dB SPL |
| Polarity | Positive pressure on diaphragm produces positive voltage on pin 2 with respect to pin 3 |
| Weight | 454 g (16.01 oz) |
| Connector | Three-pin professional audio (XLR), male |
| Operating Temperature | -20 to 165 °F (-29 to 74 °C) |
| Operating Humidity <i>Relative</i> | 0 to 95% |

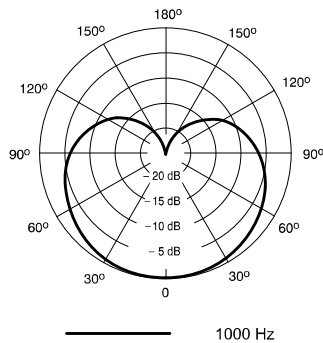
Available SKUs

| | |
|-----------|---|
| PGA52-LC | Microphone with integrated quick-release stand, stand adapter, and pouch (Less cable) |
| PGA52-XLR | Microphone with integrated quick-release stand, stand adapter, pouch and 15 ft (4.6 m) XLR-to-XLR cable |

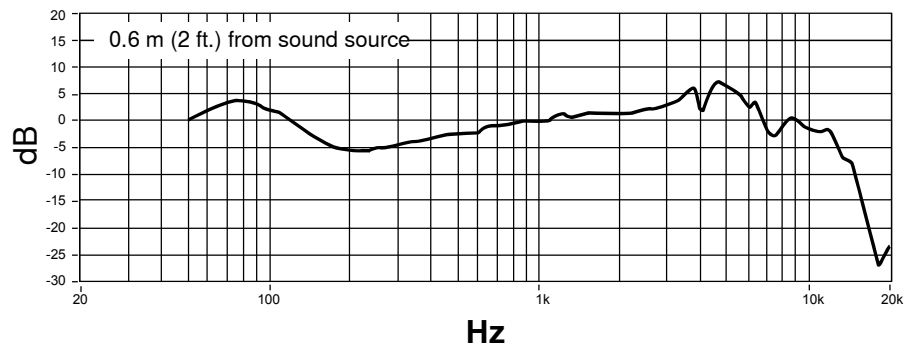
Accessories

| | |
|---------|-------------------------------------|
| 31A1856 | 5/8" to 3/8" thread adapter |
| C25J | 25 ft (7.6 m) XLR-to-XLR cable |
| RPMP52G | Replacement PGA52 black mesh grille |

Polar Pattern



Frequency Response



SHURE[®]

LEGENDARY
PERFORMANCE™

www.shure.com

© 2015 Shure Incorporated