

Product Specifications

PGA81 Cardioid Condenser Instrument Microphone

Overview

The PGA81 cardioid condenser instrument microphone is a professional quality flat-response microphone featuring highly durable design and construction that delivers excellent sound. Ideal for use in sensitive acoustic instrument performance and recording, the PGA81 comes with a swivel adapter, carrying pouch and choice of with XLR cable, or without. Phantom power required.

Features

- Flat-response microphone cartridge design for clear reproduction of acoustic instrument sound sources in more sensitive environments.
- Cardioid polar pattern picks up audio from the source while rejecting unwanted noise
- Updated industrial design with black metallic finish and grille for unobtrusive visual presence
- Available with and without XLR Cable for flexibility in gear choice
 - With 15 ft (4.6 m) XLR-XLR cable
 - Without cable
- Stand adapter for mounting to a microphone stand
- Zipper pouch included for additional protection during storage or transport
- Legendary Shure quality design and construction for exceptional performance in rigorous environments



PGA 81

Product Specifications

Type	Electret condenser
Frequency Response	40 to 18,000 Hz
Polar Pattern	Cardioid
Output Impedance	600 Ω
Sensitivity at 1 kHz, open circuit voltage	-48.5 dBV/Pa (3.8 mV) 1 Pa=94 dB SPL
Polarity	Positive pressure on diaphragm produces positive voltage on pin 2 with respect to pin 3
Weight	186 g (6.6 oz.)
Connector	Three-pin professional audio (XLR), male
Power Requirements	48 VDC phantom power (2.0 mA)

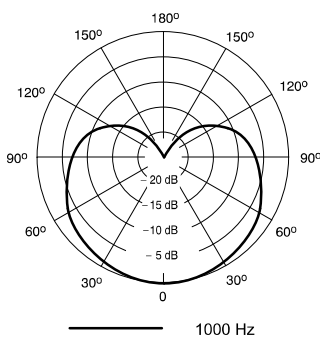
Available SKUs

PGA81-LC	Microphone, clip, stand adapter, and pouch (Less cable)
PGA81-XLR	Microphone, clip, stand adapter, pouch and 15 ft (4.6 m) XLR-to-XLR cable

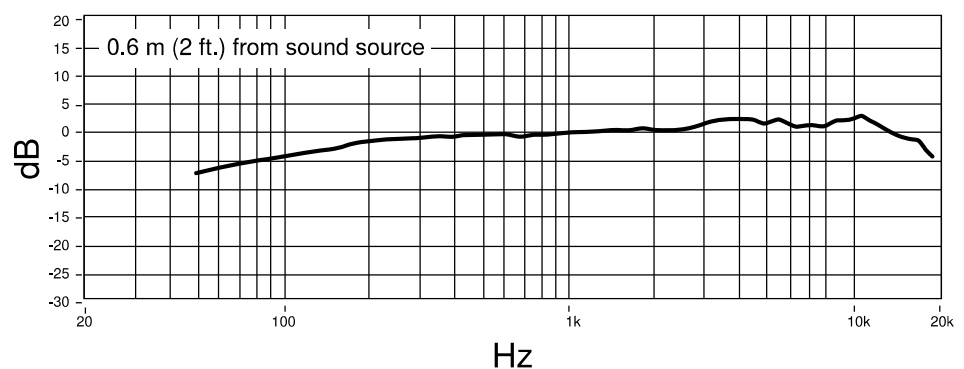
Accessories

A25D	Break-resistant microphone clip
31A1856	5/8" to 3/8" thread adapter
C25J	25 ft (7.6 m) XLR-to-XLR cable
A3WS	Black foam windscreen

Polar Pattern



Frequency Response



SHURE[®]

LEGENDARY
PERFORMANCE™

www.shure.com

© 2015 Shure Incorporated