

Product Specifications

PGA98D Cardioid Condenser Drum Microphone

Overview

The PGA98D is a professional quality cardioid condenser microphone optimized for drums and percussion. Featuring a flexible, discrete gooseneck design with highly durable construction, integrated preamplifier and included drum mount for quick and easy attachment and removal, the PGA98D is ideal for both live performance and recording.

Features

- Tailored microphone cartridge design for clear reproduction of drum and percussion sound sources.
- Flexible gooseneck design makes accurate positioning quick and easy
- Molded one-piece drum mount for fast, low-profile mounting and removal
- Integrated preamplifier provides a direct XLR connection (11-52 VDC phantom power required)
- Cardioid polar pattern picks up audio from the source while rejecting unwanted noise
- Updated industrial design with black metallic finish and grille for unobtrusive visual presence
- Available with and without XLR Cable for flexibility in gear choice
 - With 15 ft (4.6 m) XLR-XLR cable
 - Without cable
- Zipper pouch included for additional protection during storage or transport
- Legendary Shure quality design and construction for exceptional performance in rigorous environments



PGA 98D

Product Specifications

Type	Electret condenser
Frequency Response	60 to 20,000 Hz
Polar Pattern	Cardioid
Output Impedance	850 Ω
Sensitivity <i>at 1 kHz, open circuit voltage</i>	-52 dBV/Pa (2.51 mV) <i>1 Pa=94 dB SPL</i>
Maximum SPL <i>1 kHz at 1% THD, 1 kΩ</i>	130 dB SPL
Self-Noise <i>A-weighted, typical</i>	27 dB SPL-A
Polarity	Positive pressure on diaphragm produces positive voltage on pin 2 with respect to pin 3
Weight	210 g (8 oz.)
Connector	Three-pin professional audio (XLR), male
Housing	Cast Zinc
Power Requirements	11-52 VDC phantom power (2 mA)

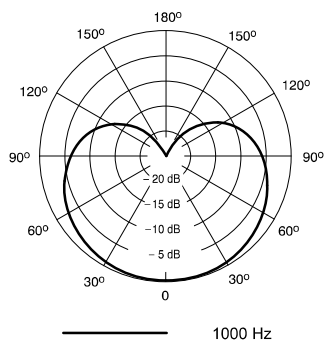
Available SKUs

PGA98D-LC	Microphone, drum mount and pouch
PGA98D-XLR	Microphone, drum mount, pouch and (4.6 m) XLR-to-XLR cable

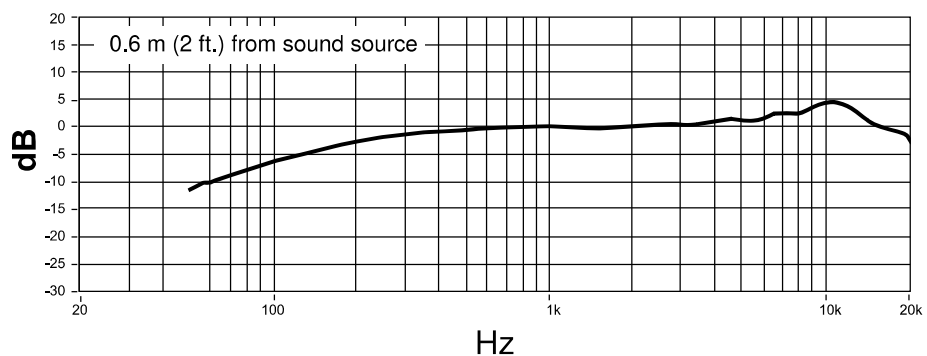
Accessories

AP98DM	Break-resistant drum microphone mount for PGA98D
31A1856	5/8" to 3/8" thread adapter
C25J	25 ft (7.6 m) XLR-to-XLR cable
AP98WS	Black foam windscreen

Polar Pattern



Frequency Response



SHURE[®]

LEGENDARY
PERFORMANCE™

www.shure.com

© 2015 Shure Incorporated